



6700 Series

POS bench scales



Model 6710



Model 6720



Model 6720 with remote display only

Model 6710 with
12" remote post
and display



Model 6702 with
display bracket



Standard point-of-sale interface scale for linking to electronic cash registers or POS systems.

- ◆ **Easy to Read** Six-digit LCD external display with large 0.5" characters, tactile keys.
- ◆ **Accurate and Reliable** Quality load cell and electronics ensure repeatable weight measurements and troublefree operation.
- ◆ **Easy to Install** Bi-directional 9-pin RS232 port. Interfaces to most electronic cash registers and point-of-sale software programs.
- ◆ **Quick Disconnects** Makes all cable connections easy.
- ◆ **OPOS Compatible** OPOS developers tool kit available for POS systems integration.

POS bench scales

Features & Benefits

- ◆ **Auto Zero Tracking** Zero light indicator and manual control when out of range.
- ◆ **Interface Protocols** NCI, ECR, 8213 (Sharp), 2250 (Swintec), ATT, 0400 (Olympia).
- ◆ **Alternate Calibration Points**
Allows use of less than full capacity weight for calibration.
- ◆ **Construction (6702/6710)** Stainless steel weighing area with full skirt around perimeter of base, except where connectors are located at rear of scale. (6720) stainless steel weight platter, die cast aluminum base.
- ◆ **Power**
Input: 120 VAC (+10% -15%)/ 60 Hz (±3 Hz)
Standard 3 wire with ground input
Output: 15 VDC @ 0.3 Amps minimum
Power cord: 6 foot
- ◆ **Agency Approvals**
NTEP COC # 95-070,
Canada W&M, COC AM-5076
UL Listed, CSA certified power supply

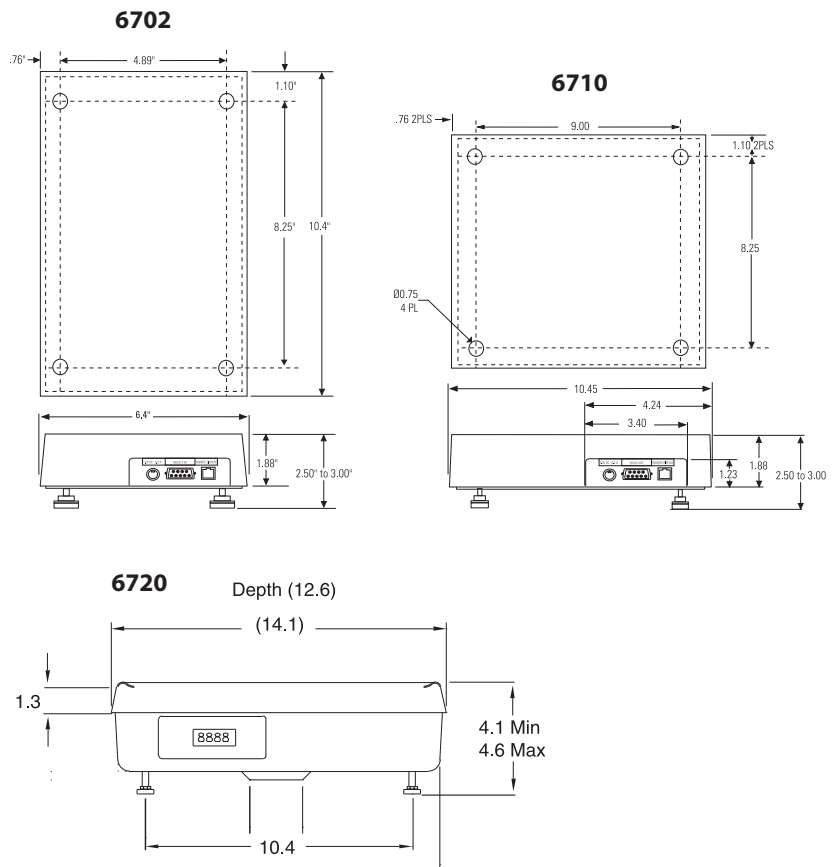
Options

- ◆ **Display Post (6702/610/6720)** 12" high post for attachment to remote display.
- ◆ **Display Brackets (6702/6710)** Attach remote display to scale base.
- ◆ **International Power Supply** 230 VAC, 50 Hz power supply. Cable terminated with a universal connector.
- ◆ **Cables** Interface cables available for PCs and specific ECRs.
- ◆ **Remote Display (6720)** Six-digit LCD housed in an extruded metal enclosure with tactile keys and a 7 ft. cable.

Specifications

	6702	6710	6720
Capacity & Resolution (lbs)	15 x 0.005 lbs	15 x 0.005 lbs	15 x 0.005 lbs
	30 x 0.01 lbs	30 x 0.01 lbs	30 x 0.01 lbs
			60 x 0.02 lbs 120 x 0.05 lbs
Capacity & Resolution (kg)	7 x 0.002 kg	7 x 0.002 kg	7 x 0.002 kg
	15 x 0.005 kg	15 x 0.005 kg	15 x 0.005 kg
Weight Platter Dimensions	6" x 10"	10" x 10"	12" x 14"
Remote Display Dimensions	5.8" x 3" x 1.4"	5.8" x 3" x 1.4"	Optional

Dimensions



© Avery Weigh-Tronix 2010. All rights reserved. This publication is issued to provide outline information only which, unless agreed by Avery Weigh-Tronix in writing, may not be regarded as a representation relating to the products or services concerned. Avery Weigh-Tronix reserves the right to alter without notice the specification, design, price or conditions of supply of any product or service.

Avery Weigh-Tronix (Retail North America)

1000 Armstrong Drive, Fairmont, MN 56031

PH Toll-Free: 800-637-0529

PH: 507-238-8702

FAX: 507-238-8271

E-mail: sales@salterbrecknell.com
Internet: www.salterbrecknell.com

Avery Weigh-Tronix



Product complies with F.C.C.